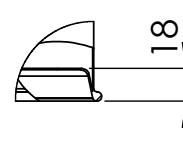
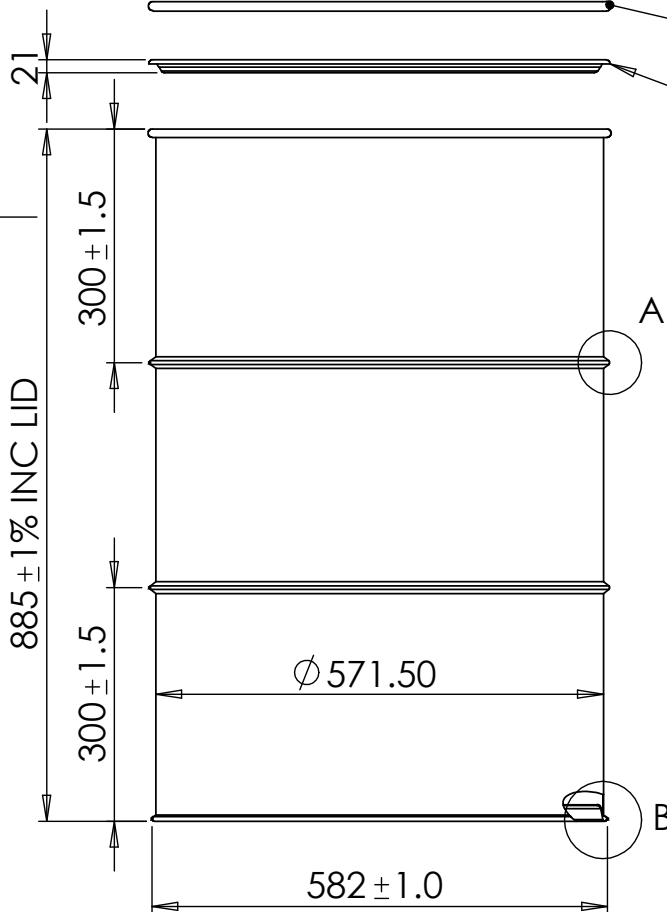
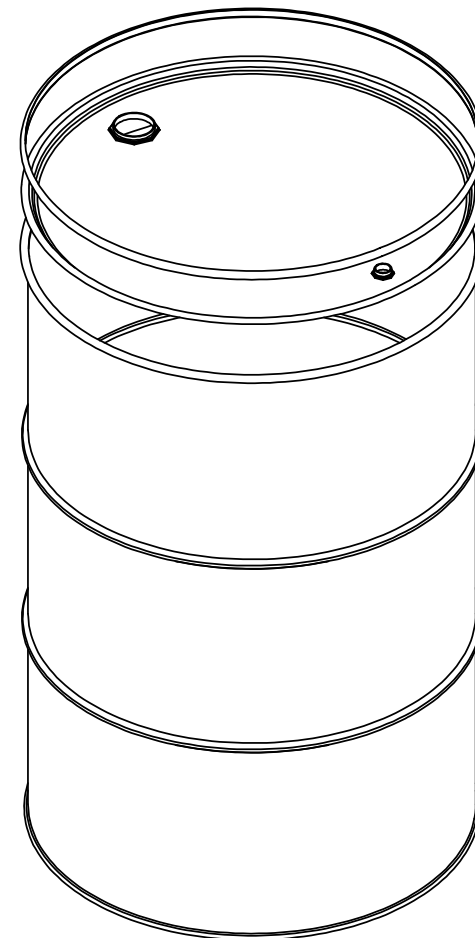


DETAIL A  
SCALE 1 : 5

Locking Ring  
Ref. Data Sheet  
for type.



DETAIL B  
SCALE 1 : 5



Total width with lid, including  
locking ring approx 600mm

UNLESS OTHERWISE SPECIFIED:  
DIMENSIONS ARE IN MILLIMETERS

FINISH:

DEBUR AND  
BREAK SHARP  
EDGES

DO NOT SCALE DRAWING

REVISION 02

This drawing is produced strictly for guidance only. Ramsden & Whale Ltd accepts no liability arising from any party acting on any information contained within this drawing.

	NAME	SIGNATURE	DATE
DRAWN	TP		06/15
APPV'D	DR		06/15

Ramsden & Whale Ltd  
Harold Street  
Great Bridge  
Tipton  
West Midlands  
DY4 0JF  
Tel 0121 557 3656  
Fax 0121 522 3144

TITLE:  
**Open Top With Closures STD  
Rolling Hoops**

The original of this drawing is the exclusive property of Ramsden & Whale Ltd. By accepting and using this document the recipient agrees to protect its content from further dissemination, other than that within the organisation necessary to evaluate the use of such products. Without the written permission of Ramsden & Whale Ltd the contents of this document are not to be reproduced or copied in whole or in part.

MATERIAL:  
**CR4 Mild Steel**

DWG NO. **RW105**

A4

WEIGHT:

SCALE:1:20

SHEET 1 OF 1