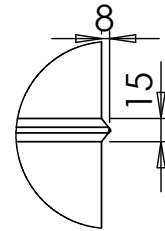
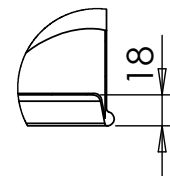


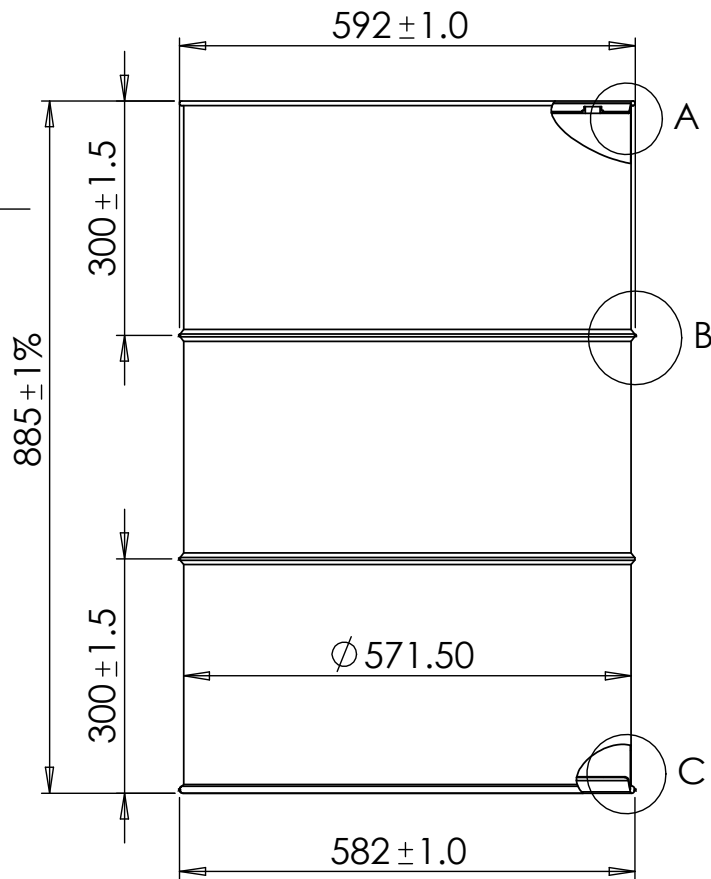
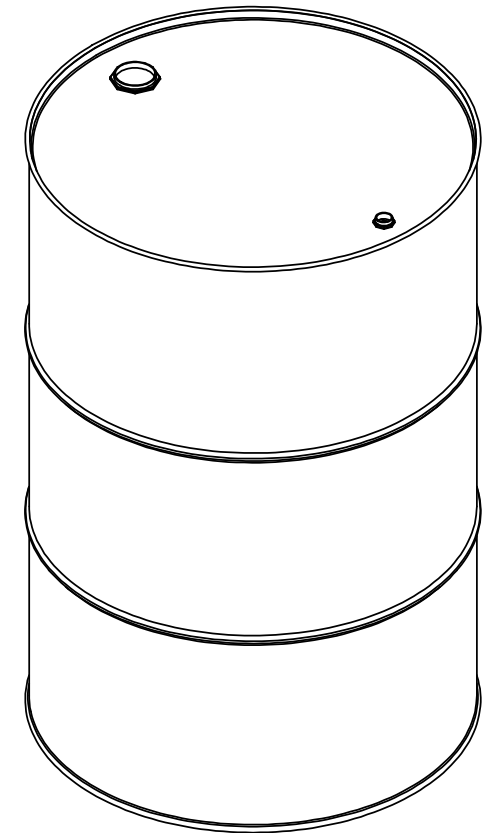
DETAIL A
SCALE 1 : 5



DETAIL B
SCALE 1 : 5



DETAIL C
SCALE 1 : 5



UNLESS OTHERWISE SPECIFIED: DIMENSIONS ARE IN MILLIMETERS		FINISH:		DEBUR AND BREAK SHARP EDGES	
--	--	---------	--	-----------------------------------	--

DO NOT SCALE DRAWING	REVISION 02
This drawing is produced strictly for guidance only. Ramsden & Whale Ltd accepts no liability arising from any party acting on any information contained within this drawing.	

	NAME	SIGNATURE	DATE
DRAWN	TP		06/15
APPV'D	DR		06/15

Ramsden & Whale Ltd
Harrold Street
Great Bridge
Tipton
West Midlands
DY4 0JF
Tel 0121 557 3656
Fax 0121 522 3144

TITLE:
**Standard Tight Head Drum
With Standard Rolling hoops**

The original of this drawing is the exclusive property of Ramsden & Whale Ltd. By accepting and using this document the recipient agrees to protect its content from further dissemination, other than that within the organisation necessary to evaluate the use of such products. Without the written permission of Ramsden & Whale Ltd the contents of this document are not to be reproduced or copied in whole or in part.

MATERIAL:
CR4 Mild Steel

DWG NO. **RW102** A4

WEIGHT: STD 15.3Kg, HD 16.5KG

SCALE: 1:20 SHEET 1 OF 1